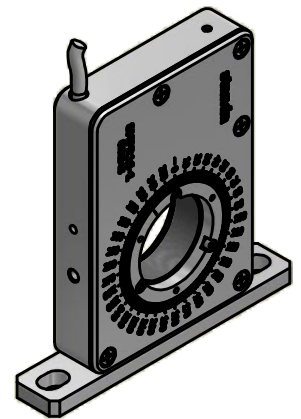
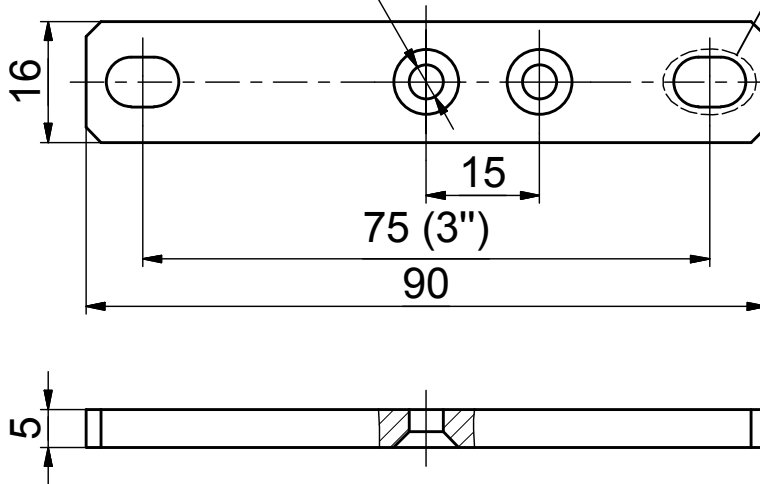


Base plate 3BP8MPR16

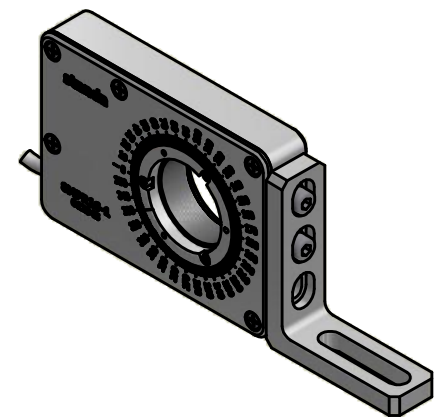
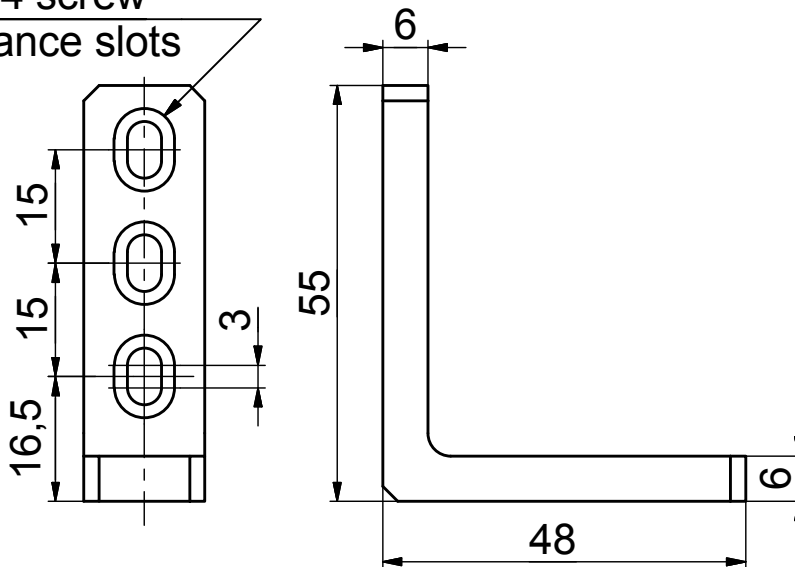
For M4 screw (DIN 965)
 2 clearance holes

For M6 (1/4-20) screw
 2 clearance slots



Angle bracket 2AB8MPR16

For M4 screw
 3 Clearance slots



For M6 (1/4-20) screw
 Clearance slot

